



# Z BOX-C

ALL-IN-ONE ESS Cabinet

## ● C 215-2H

C215L-A-EU

105kW / 215kWh | 0.5C

- Safe & Reliable
- Cost-efficient

- Flexible Deployment
- Smart Management

### Battery Data

Cell type	LFP
Rated capacity	280 Ah
Serial-parallel type	1P240S
Rated capacity per pack	43.008 kWh
Pack number	5
System rated energy capacity	215.04 kWh
Rated DC voltage	768 V
Rated DC voltage range	672~864 V
Rated DC current	140 A

### AC data

Rated AC power	105 kW
Rated AC voltage	400 Vac
Rated frequency	50/60 Hz
Rated AC current	152 A
Max. AC current	167 A
AC wiring type	3W/N+PE
Power factor	-1 ~ 1

### General Data

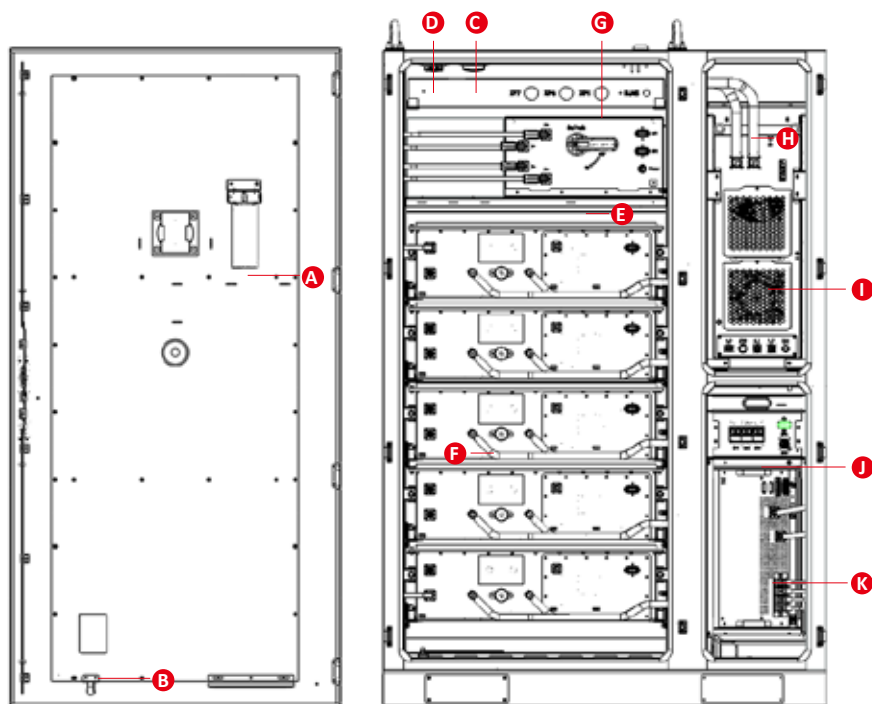
DOD	95%
Noise	≤75dB
Protection degree	IP 55 (Battery room&PCS room)
Cooling method	Liquid cooling/ heating
Fire suppression system	Aerosol
Operating temperature range	-19 ~ 55° C (> 45° C derating)
Relative humidity	5% ~ 95% RH
Max.working altitude	2000 m
Display	Web/ LED
COM interfaces	RS485/ Ethernet
Dimensions (L*W*H)	1344*1399*2080 mm
Weight	2450±50 kg



ZOE Energy Storage, a pioneer in integrating investment, operation of energy storage stations, and the R&D, manufacturing, and sales of energy storage systems, has its global headquarters in Shanghai. With its R&D center in Jiangsu and joint laboratories established with top universities and international institutions, ZOE advances the development and application of energy storage technology. The company operates 14GWh intelligent energy storage factories in Jiangxi and Sichuan and has established the ZOE Digital Center in Shanghai. Leveraging outstanding R&D capabilities and innovative approaches, ZOE delivers both standardized and tailored energy storage solutions, bridging grids and scenarios for organized electricity use and balanced loads.

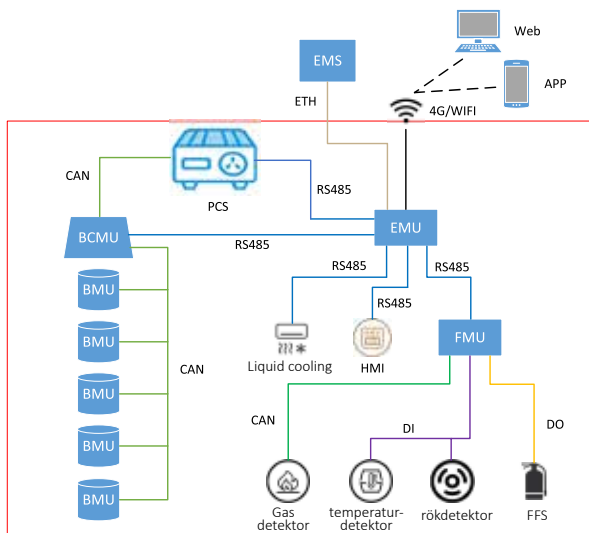
As a subsidiary of the ZOE Energy Group, ZOE Energy Storage contributes to the group's overarching mission. Founded in 2013, ZOE Energy Group is a high-tech enterprise dedicated to the development, investment, and management of new energy projects. Targeting carbon neutrality, the Group has developed 23 utility-scale solar projects with a combined capacity of 3.53GW and is progressing with wind, photovoltaic projects of 1.23GW. With a cumulative investment exceeding \$4.4 billion, the Group has realized an annual compound growth rate of 183%, underscoring its commitment to sustainable energy development.

• Product internal schematic

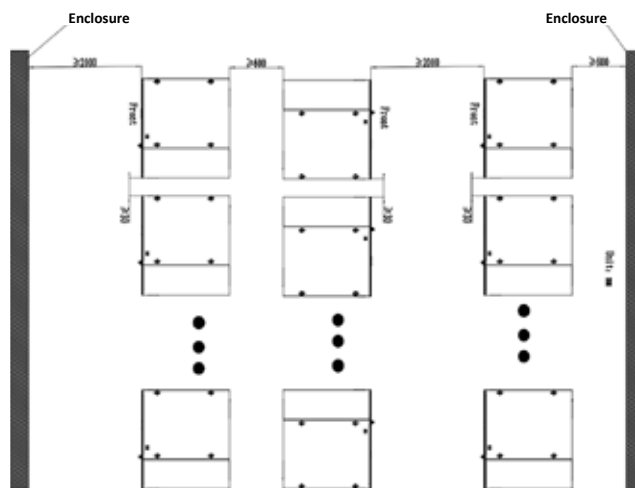


- [A] - Thermal aerosol fire extinguishers
- [B] - Product nameplates
- [C] - Smoke detectors for fire detection
- [D] - Temperature-sensitive fire detectors
- [E] - High voltage control box
- [F] - Battery modules
- [G] - EMU control box
- [H] - Liquid-cooling piping
- [I] - Liquid cooler
- [J] - Power box
- [K] - Power Conversion System of Energy Storage

• Communication architecture



• Layout of different energy storage cabinets



Note: The installation location environment must meet the total air volume  $\geq 2260 \text{ m}^3/\text{h}$ .

• Project Cases



Generation/Grid Side Renewable Energy with Storage



Commercial and Industrial Renewable Energy with Storage



Renewable Energy with Storage in High-Altitude Areas



FOLLOW US



WEBSITE

Dedicated to Being a Global Force in Transforming Energy Structures